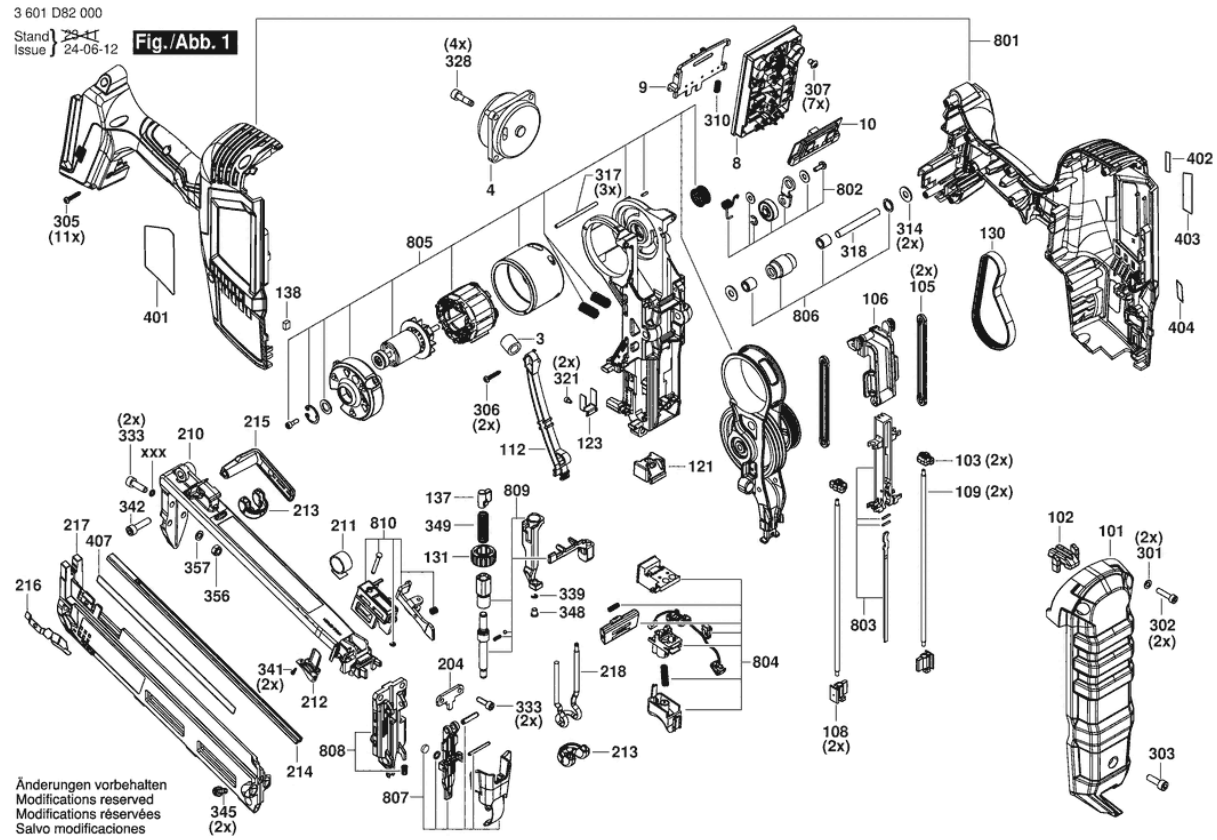


Illustration - Type - E



Spare parts list

Item	Part Number	Description	Illustration
3	1 619 PC0 853	Ferrite	1
4	1 619 PC0 664	Solenoid	1
8	1 607 233 5SU	Speed governor	1
9	1 600 A02 G89	Contact retainer	1
10	1 607 233 5PN	Electronic Module	1
101	1 619 PC0 157	Front Cover	1
102	2 610 009 805	Shock Absorber	1
103	2 610 009 761	Shock Absorber	1
105	1 619 PC2 189	Rubber band	1
106	2 610 009 790	Support Frame	1
108	2 610 009 752	Guide Sleeve	1
109	2 610 009 783	Guide Rail	1
112	1 619 PC0 180	Cable Bracket	1
121	2 610 009 760	Shock Absorber	1
123	2 610 009 745	Wear Plate	1
130	2 610 009 750	Toothed Belt	1
131	1 619 PC0 179	Wheel	1
137	1 619 PC2 116	Bumper	1
138	1 619 PC2 195	Sponge	1
204	1 619 PC0 155	Plate	1
210	1 619 PC0 177	magazine cover	1
211	2 610 009 755	Coiled Spring	1
212	1 619 PC0 178	Cover	1
213	2 610 005 325	Protective Guard	1
214	2 610 009 802	Rail	1
215	2 610 009 775	Belt holder clip	1
216	2 610 005 340	Coil Spring	1
217	2 610 009 766	nail cartridge	1
218	1 619 PC0 160	Safety Lever	1
301	2 610 005 300	Washer	1
302	2 610 009 762	Screw	1
303	2 610 005 252	Screw	1
305	2 610 009 763	Screw	1
307	1 619 PC0 911	Screw	1
310	2 610 009 753	Compression Spring	1

Spare parts list

Item	Part Number	Description	Illustration
314	1 619 PB7 006	Washer	1
317	2 610 009 789	Pin	1
318	1 619 PB7 008	Pin	1
321	2 610 009 743	Screw	1
328	2 610 009 751	Screw	1
333	2 610 005 357	Screw	1
339	1 619 PB7 020	Retaining ring	1
341	1 619 PC2 231	Screw	1
342	2 610 005 311	Screw	1
345	2 610 006 628	Screw	1
348	1 619 PC2 240	Bushing	1
349	1 619 PC2 242	Spring	1
356	1 619 PC2 114	Nut	1
357	1 619 PC2 113	Washer	1
401	1 619 PC2 385	Nameplate	1
401	1 619 PC2 389	Nameplate	1
402	1 619 PC0 651	Label	1
403	1 619 PC0 642	Manufacturer's nameplate	1
404	1 619 PC0 647	Label	1
407	1 619 PC1 162	Label	1
801	1 619 PC2 246	Housing Assembly	1
802	1 619 PC2 247	Idler	1
803	2 610 009 770	Contact Block	1
804	1 619 PC2 253	Trigger unit	1
806	2 610 009 784	Needle-Roller Assembly	1
807	1 619 PC2 260	Outlet Plate	1
808	1 619 PC2 263	Guide Plate	1
809	1 619 PC2 267	Adjustment Kit	1
810	1 619 PC2 266	Pusher Set	1